

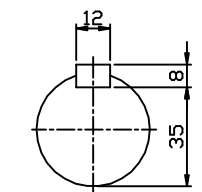
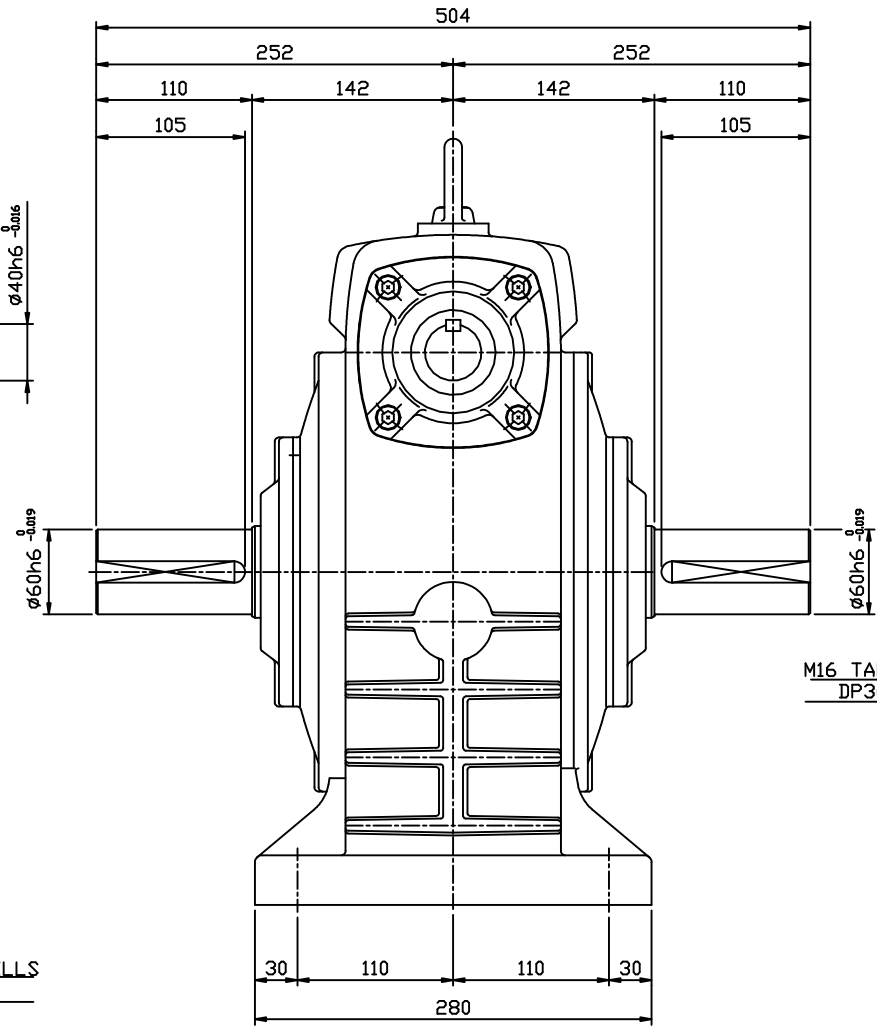
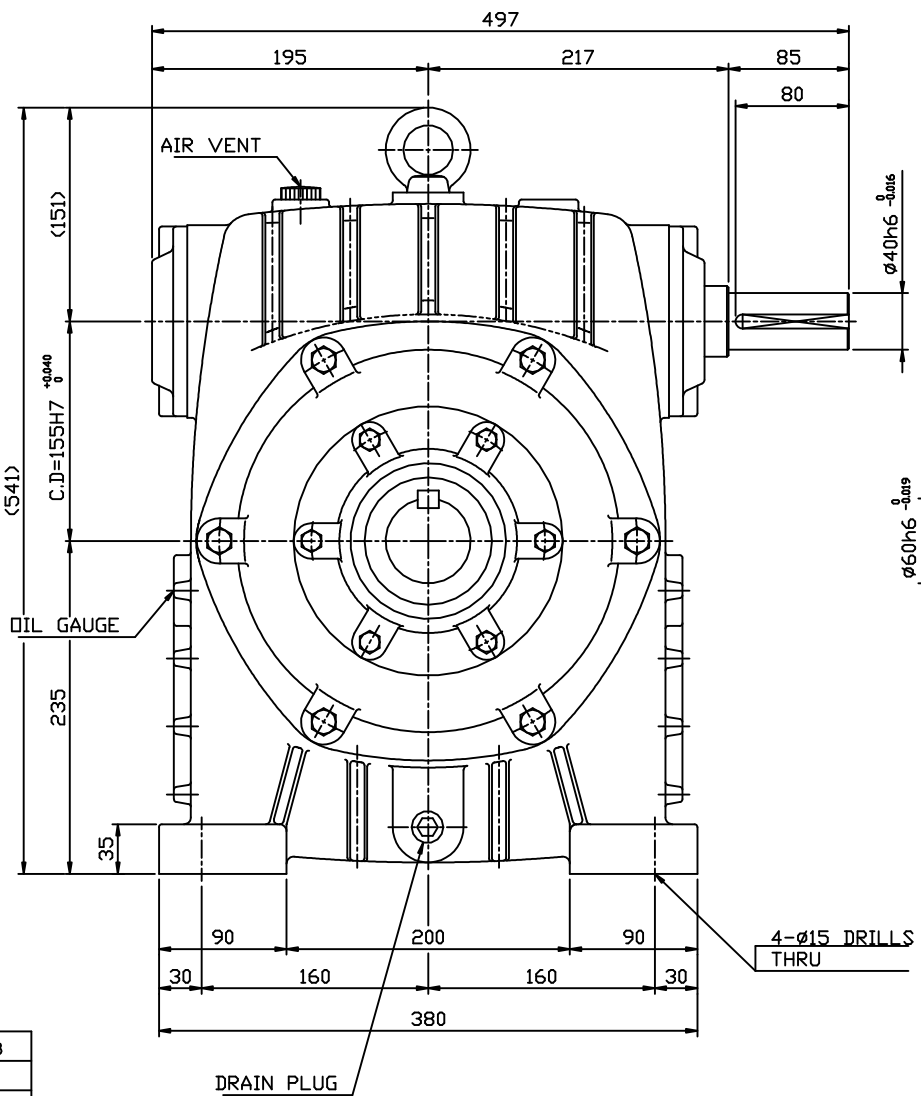
1

2

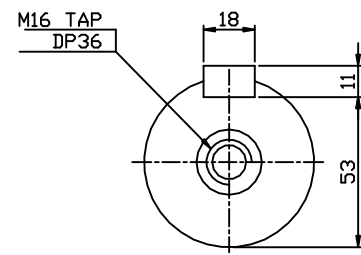
3

4

DWG. NO.



INPUT SHAFT



OUTPUT SHAFT

- M5*0.8
- M6* 1
- M8*1.25
- M10*1.5
- M12*1.75
- M16* 2
- M18*2.5
- M20*2.5
- M22*2.5
- M24*3

		NO	PART NO.	DESCRIPTION	Q'TY	MATERIAL
DESIGN	DATE	99.10.06	NAME	Y.N.KIM		
CHECK						
APPROV						
SCALE		N / S		TITLE		SHEET
DWG SIZE		A3		OUTLINE DWG. MAX21 WORM REDUCER WU155 i=1/10~1/60 C-TYPE		REV
DWG. NO.		WU155_C				

1

2

3

4