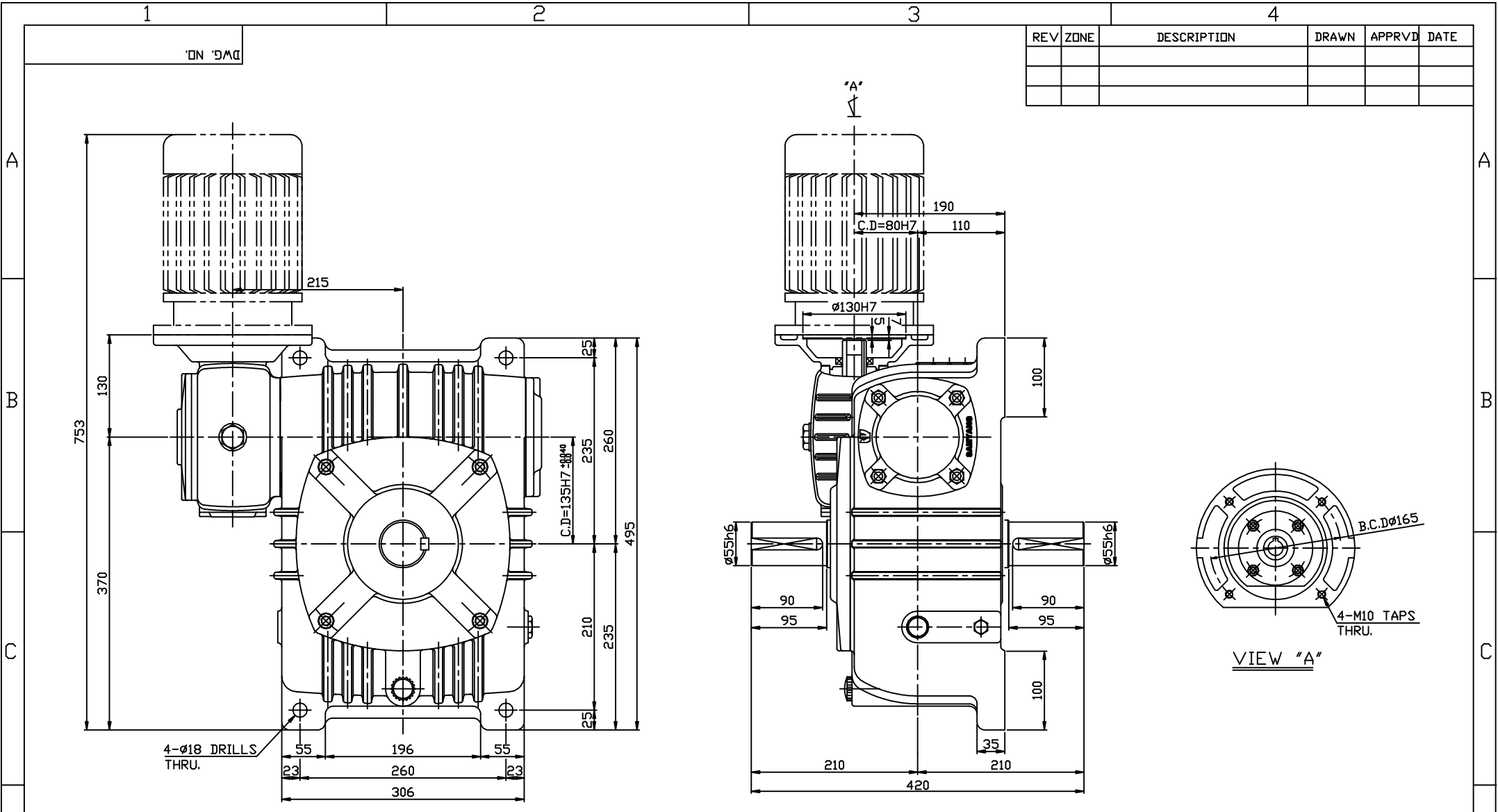
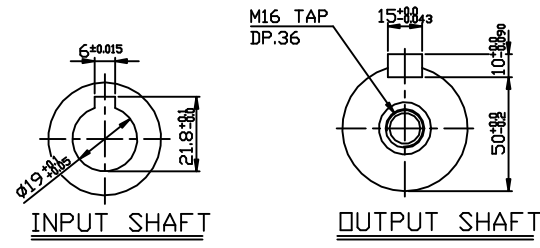


REV	ZONE	DESCRIPTION	DRAWN	APPRVD	DATE



M5*0.8
M6* 1
M8*1.25
M10*1.5
M12*1.75
M16* 2
M18*2.5
M20*2.5
M22*2.5
M24*3



NO	PART NO.	DESCRIPTION	Q'TY	MATERIAL
1				
2				
3				
4				

NO	PART NO.	DESCRIPTION	Q'TY	MATERIAL

NO	PART NO.	DESCRIPTION	Q'TY	MATERIAL
1				
2				
3				
4				

NO	PART NO.	DESCRIPTION	Q'TY	MATERIAL

NO	PART NO.	DESCRIPTION	Q'TY	MATERIAL

**SAMYANG**  
REDUCTION GEARS CO., LTD

NO	PART NO.	DESCRIPTION	Q'TY	MATERIAL

INPUT SHAFT

OUTPUT SHAFT

VIEW "A"

B.C.D $\phi 165$   
4-M10 TAPS THRU.

본 도면은 (주)삼양장속기의 기술 자산입니다. 본 도면은 지적 재산권 관련 법규에 의하여 보호되며, (주)삼양장속기로부터 문서에 의한 승인 없이 본 도면의 전부 또는 일부를 무단으로 복제하거나, 타인에게 누설할 수 없습니다.  
각도 :  $\pm 0.2$ , 8 - 30 :  $\pm 0.1$

CHAMFER : C 1.0	30 - 120 : $\pm 0.15$
FILLET : R 1.0	120 - 315 : $\pm 0.2$
마무리 : $\nabla$	315 - 1000 : $\pm 0.3$
	1000 이상 : $\pm 0.5$

NO	PART NO.	DESCRIPTION	Q'TY	MATERIAL

NO	PART NO.	DESCRIPTION	Q'TY	MATERIAL

NO	PART NO.	DESCRIPTION	Q'TY	MATERIAL

NO	PART NO.	DESCRIPTION	Q'TY	MATERIAL

NO	PART NO.	DESCRIPTION	Q'TY	MATERIAL

NO	PART NO.	DESCRIPTION	Q'TY	MATERIAL

NO	PART NO.	DESCRIPTION	Q'TY	MATERIAL

NO	PART NO.	DESCRIPTION	Q'TY	MATERIAL

NO	PART NO.	DESCRIPTION	Q'TY	MATERIAL

NO	PART NO.	DESCRIPTION	Q'TY	MATERIAL

NO	PART NO.	DESCRIPTION	Q'TY	MATERIAL

NO	PART NO.	DESCRIPTION	Q'TY	MATERIAL

NO	PART NO.	DESCRIPTION	Q'TY	MATERIAL

NO	PART NO.	DESCRIPTION	Q'TY	MATERIAL

NO	PART NO.	DESCRIPTION	Q'TY	MATERIAL

NO	PART NO.	DESCRIPTION	Q'TY	MATERIAL

NO	PART NO.	DESCRIPTION	Q'TY	MATERIAL

NO	PART NO.	DESCRIPTION	Q'TY	MATERIAL

NO	PART NO.	DESCRIPTION	Q'TY	MATERIAL

NO	PART NO.	DESCRIPTION	Q'TY	MATERIAL

NO	PART NO.	DESCRIPTION	Q'TY	MATERIAL

NO	PART NO.	DESCRIPTION	Q'TY	MATERIAL

NO	PART NO.	DESCRIPTION	Q'TY	MATERIAL

NO	PART NO.	DESCRIPTION	Q'TY	MATERIAL

NO	PART NO.	DESCRIPTION	Q'TY	MATERIAL

NO	PART NO.	DESCRIPTION	Q'TY	MATERIAL

NO	PART NO.	DESCRIPTION	Q'TY	MATERIAL

NO	PART NO.	DESCRIPTION	Q'TY	MATERIAL

NO	PART NO.	DESCRIPTION	Q'TY	MATERIAL

NO	PART NO.	DESCRIPTION	Q'TY	MATERIAL

NO	PART NO.	DESCRIPTION	Q'TY	MATERIAL

NO	PART NO.	DESCRIPTION	Q'TY	MATERIAL

NO	PART NO.	DESCRIPTION	Q'TY	MATERIAL

NO	PART NO.	DESCRIPTION	Q'TY	MATERIAL

NO	PART NO.	DESCRIPTION	Q'TY	MATERIAL