

DWG. NO.

A

B

C

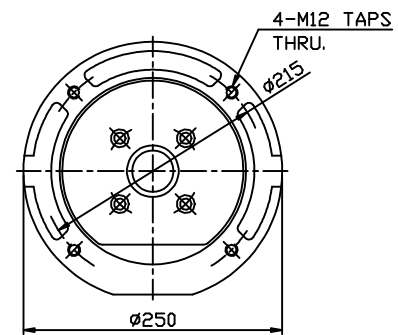
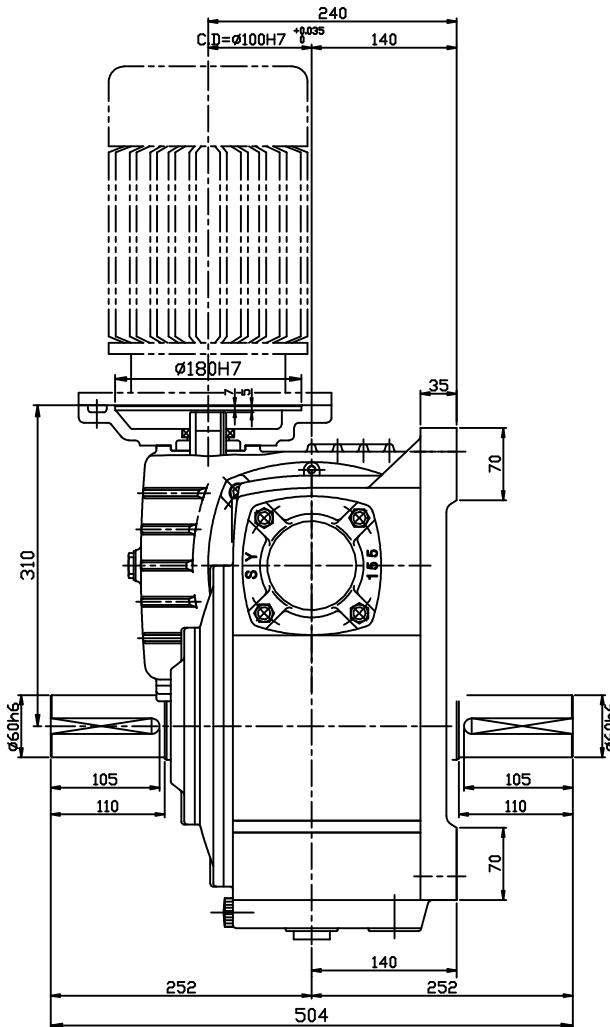
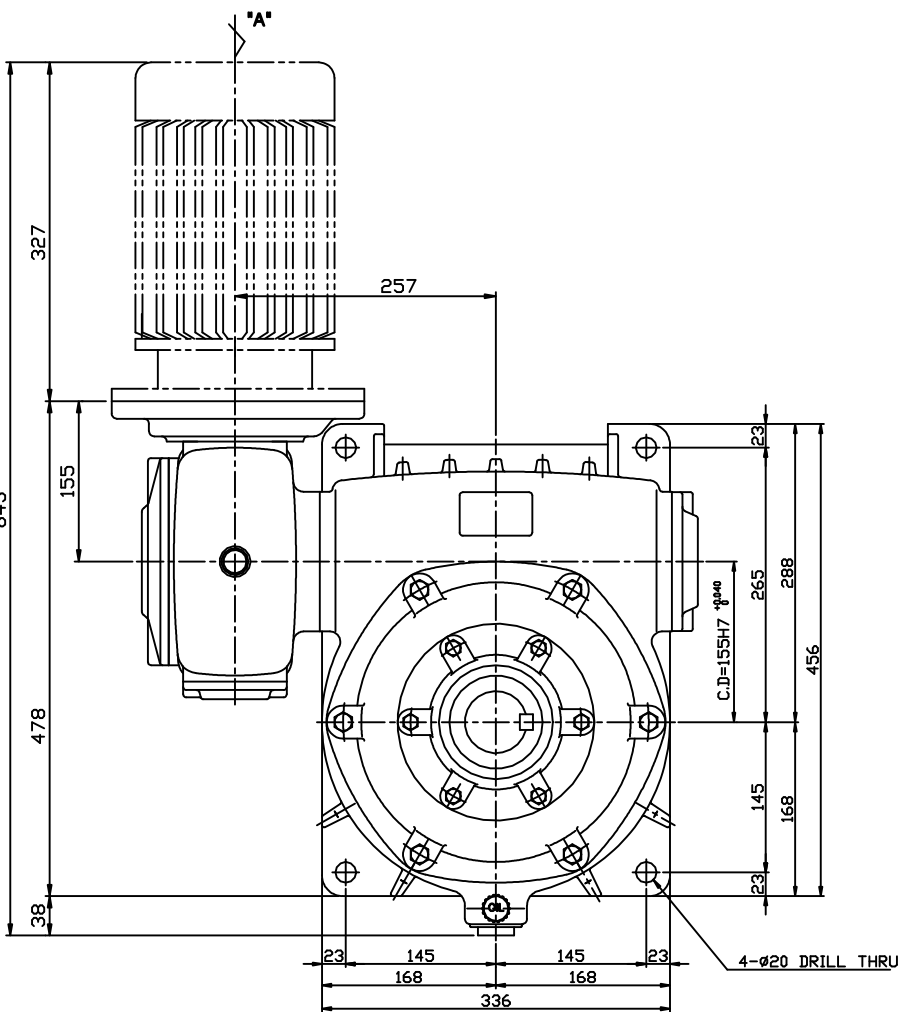
D

1

2

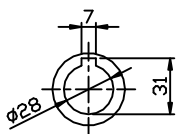
3

4

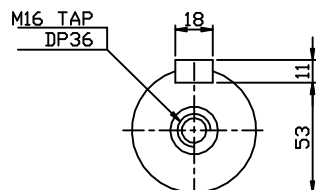


VIEW 'A'

M5*0.8
M6* 1
M8*1.25
M10*1.5
M12*1.75
M16* 2
M18*2.5
M20*2.5
M22*2.5
M24*3



INPUT SHAFT



OUTPUT SHAFT

NO	PART NO.	DESCRIPTION	Q'TY	MATERIAL

DESIGN	99.10.06	NAME	Y.N.KIM	SCALE	N / S	TITLE	OUTLINE DWG.	SHEET	
CHECK							MAX21 WORM REDUCER DWWM155		
APPROV							3HP i=1/200~1/400 F-TYPE		
SAMYANG REDUCTION GEARS CO., LTD				DWG SIZE	A3	DWG. NO.	DWWM155-3F	REV	

1

2

3

4