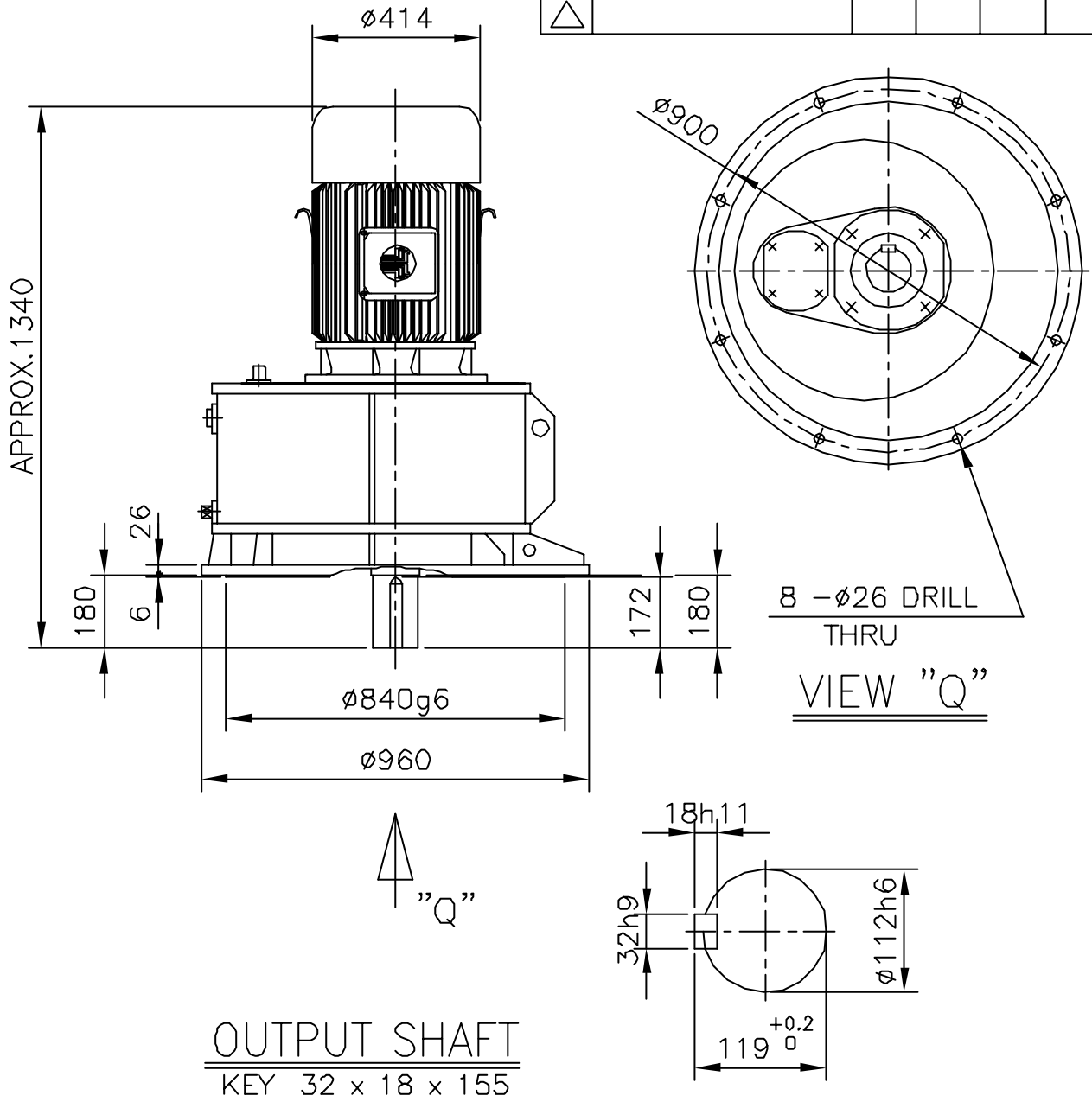


REV	DESCRIPTION	APPR	CHCK	DRWN	DATE
△					
△					
△					
△					



OUTPUT SHAFT  
KEY 32 x 18 x 155

		BEARING			
	OIL SEAL	6212ZZ	6315ZZ	OIL : ISO VG 220	
	D(M) 55 x 78 x 12	30313	30215	ABOUT 50 l	
공용적용	D(M) 120 x 150 x 14	30220	30224	WEIGHT 1210 Kg	

50HZ	TYPE				DWG. NAME			
30KW 6P 45KW 4P	FVM 45KW 4P 25~30				OUTLINE DIMENSION			
60HZ	APPROV	CHECK	DESIGN	DRAWN	THIRD ANGLE PROJECTION	SCALE	1/16	DATE 2004.01.14
37KW 6P 45KW 4P	홍 원철 04.01.14		장 정구 04.01.14		REF DWG NO.	200L		
HYOSUNG CORPORATION					DWG NO.	G K E N 9 7 0		