
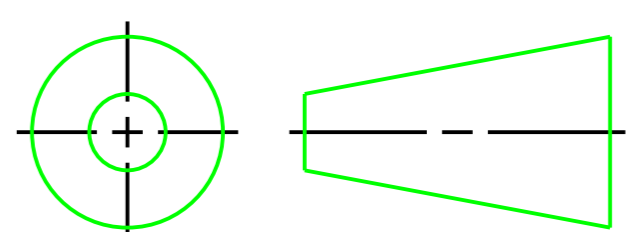


INERTIA: 22.48~25.03kg-cm²
 MASS: 31.6kg

MICRO BACKLASH: 1arcmin
 REDUCED BACKLASH: 3arcmin
 STANDARD BACKLASH: 5arcmin

BUSHING SUPPLIED WHEN MOTOR SHAFT DIAMETER SMALL THAN $\varnothing 48$

PART NO. AD2001-P0403600401 AD200-1, AD-P200-M176-1		 APEX DYNAMICS, INC.		
APPROVALS	DATE	TITLE AD200 1 Stage, Ratio=4~10 AND MOTOR FLANGE MOUNTING		
DRAWN Cindy		DWG NO. AD2001-P0403600401		
CHECKED				
APPROVED		 SIZE 2A0	SCALE 1:1	REV 1.0